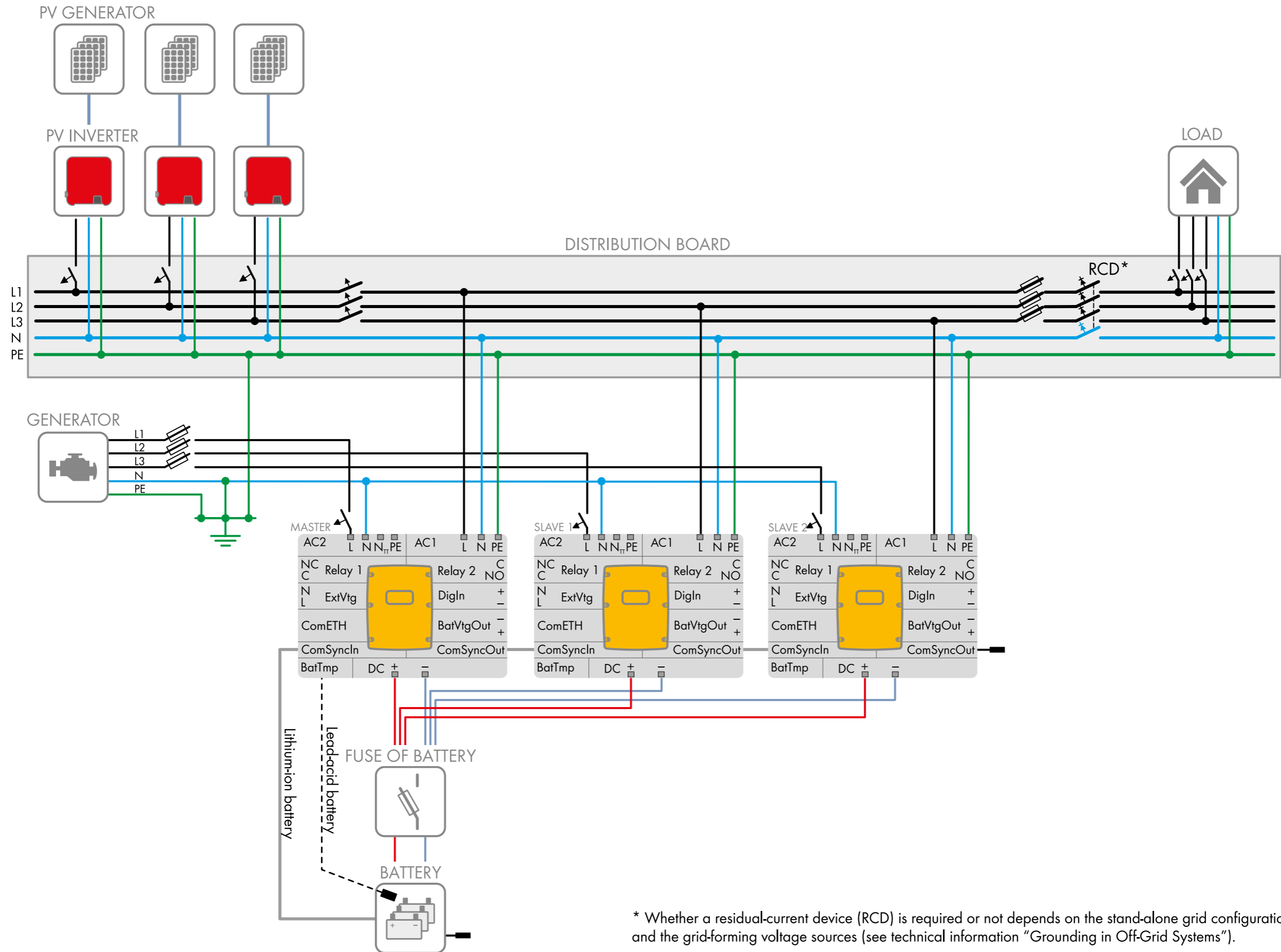


Off-grid system | Inselnetzsystem | Островна мрежова система | Ostrovní systém | Off-grid-system | Σύστημα αυτόνομου δικτύου | Sistema aislado | Isoleeritud võrgusüsteem | Itsenäinen sähköjärjestelmä | Réseau en site isolé | Samostalni mrežni sustav | Szigetüzemű rendszer | Sistema ad isola | Autonominio tinklo sistema | Patstāvīgā elektroapgādes sistēma | Stand-alone system | System wyspowy | Sistema de rede isolada | Sistem pentru rețea în sit izolat | Systém izolovaných sietí | Samostojni sistem | Fristående system



\* Whether a residual-current device (RCD) is required or not depends on the stand-alone grid configuration and the grid-forming voltage sources (see technical information "Grounding in Off-Grid Systems").